

This is a handwritten letter from Graham Culliford. It accompanied the US registration certificates for Caprinex bucks Sting and Sesame. It admits to fabricating an additional generation for the pedigrees:

"Dear Garrick, Herewith the registration certificates as requested - no charge for one of us. Have extended the sire and dam lines one generation further back simply to ensure that any offspring born as a result of AI come into the world with a full pedigree certificate, thereby ensuring their saleability. Hope these are OK. Give me a call if you have any questions. Cheers, Graham"

Dear Garrick,

Herewith the registration certificates as requested - no charge for one of us.

Have extended the sire and dam lines one generation further back simply to ensure that any offspring born as a result of AI come into the world with a full pedigree certificate, thereby ensuring their saleability.

Hope these are OK. Give me a call if you have any queries.

Cheers,

Graham

JARRICK J. BATTEN
Dip. VFM AProf MNZSPM
Registered Farm Management
Consultant

CAPRINEX

P.O. BOX 102 BRIGHTWATER
NELSON NEW ZEALAND
TEL: (057) 23740
TELEX: NZ 3506



THIS IS THE ORIGINAL DATA
SHEET PROVIDED TO
CULLIFORD

SPOT
SPOT

SONNENSPROSSEN
Sonnensprossen

Herd Doe
HERD DOE

STING

STING (43)

1021

SOUTH SMITH

Sum 1987 31087

1021

Herd Doe
HERD DOE

SESAME

SAMUEL

SINBAD SINBAD

SESAME (930)

SAMUEL

Herd Doe
HERD DOE

Sum 1987 110187

984

RINGO RINGO

(ex Anita)

984

Herd Doe
HERD DOE

Simon Collection June 1991

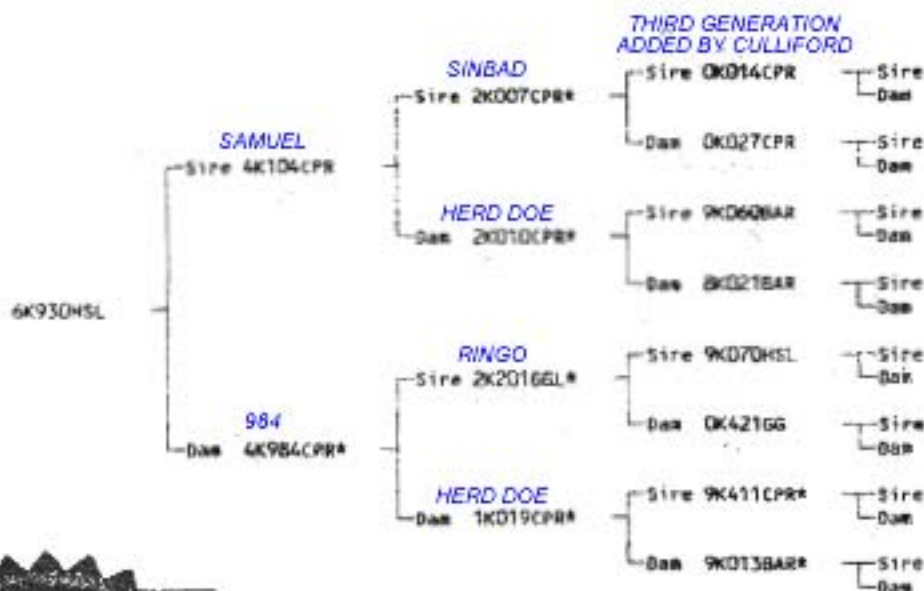


Registration Number: 6K930HSL
Name: HESLINGTON SESAME
Breeder: CAPRINEX ENTERPRISES LTD
Address: 75 ELLIS STREET
 BRIGHTWATER,
 NELSON, NZ

Microchip: SEMEN ONLY

Tag: #930 **Sex:** B **Born:** 1/10/87 **Birth Status:** NAT
Brass Tag: #930 **Birth Rank:** 2 **Reared:** S

Pedigree



Performance Summary

Birth Weight		Weaning Weight		Liveweight 8 Mth		Liveweight 12 Mth	
Date	Wt(Kg)	Date	Wt(Kg)	Date	Wt(Kg)	Date	Wt(Kg)
1/10/87	0.00	/ /	0.00	/ /	0.00	/ /	0.00

James Jones
Signature of Registrar

JIM JONES
Printed Name of Registrar

OCT 10 1996
Date Signed